



2024

CATALOG X SERIES

TECHNOLOGY CREATES A BETTER LIFE



About us

Starasian Technology is acknowledged as one leading professional manufacturer integrating R&D and production of electronic and electrical products, with the professional R&D team, the perfect service system, the advanced production workshop, the skilled workers and excellent managing and service teams, in Wenzhou China, near to Ningbo and Shanghai ports, which makes us ideally and conveniently located for easily accessing to international transportation connections by land, air and sea.

Starasian Technology takes the quality of the products and services as life, in order to provide the top quality products and perfect services. The products and designs have got more than 300 patents and related international certificates such as CE, CQC, ISO9001 and so on.

The main markets are Asia, Europe, America and Africa. The electronic and electrical solutions according to the customers' requirements are also be provided.

Starasian Technology will consistently keep on developing new products and updating new technology in order to meet new challenges and satisfy the increasing requirements.

Sieben Electric is fully responsible for the export sales service of **Starasian** Technology.



Contents

A1
PAGE
X1
Series

A4
PAGE
X2
Series

A7
PAGE
X3
Series

A10
PAGE
X4
Series

A13
PAGE
X5
Series

A16
PAGE
X6
Series

A20
PAGE
X7
Series

A25
PAGE
X8
Series

A28
PAGE
X9
Series

starasian

sinqasian

asianstar

iTekniko



X1 32A



X1 32A
Wi-Fi

Description

X1 series auto-reconnect adjustable voltage protector provides the protections of over-voltage, under-voltage and over-temperature, with the advantages of true RMS, steady-state circuit, long service life, wide application voltage, fast response speed, strong anti-interference ability (EMC passed), color digital display and adjustable parameters by adopting the advanced micro-controller and non-volatile memory, the powerful algorithm, the high-quality components and the patent-protected overall design, widely used in various environments such as household, commercial and industrial.

Basic Parameters

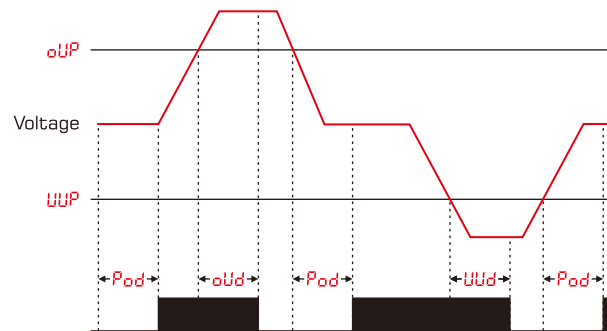
Working voltage	60-520V AC		
Rated current	32A	40A	63A
Max. current	50A	60A	80A
Rated frequency	45-60Hz		

Power consumption	<2VA
Ambient temperature	-25°C-65°C
Electro-mechanical life	100,000 cycles
Options	Wi-Fi

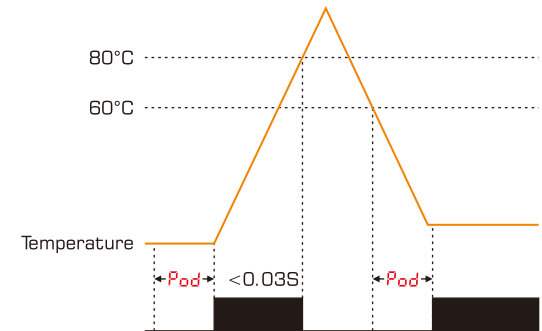
* For category AC-1.

Function Diagram

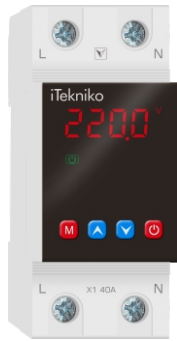
Voltage Protection



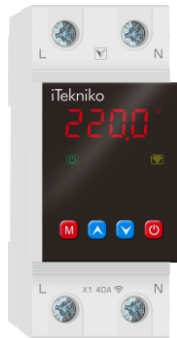
Internal Temperature Protection



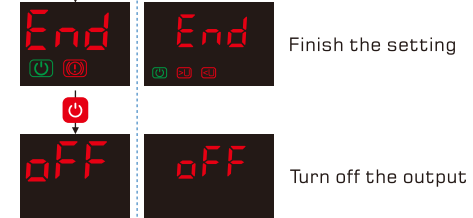
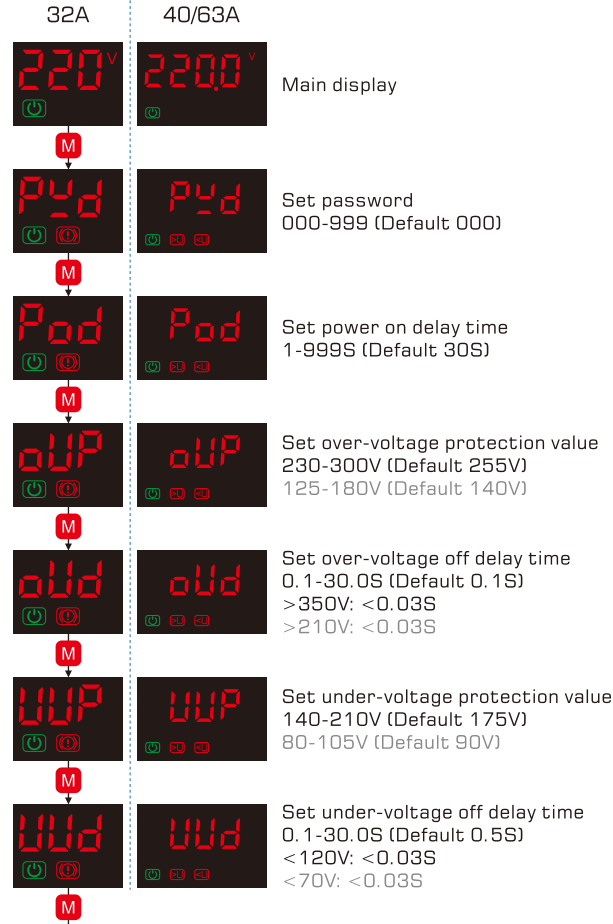
Parameter Setting



X1 40A



X1 40A
Wi-Fi



In setup mode, press to save and exit

Press and hold for 3S to reset

Press to query more parameters

Press and hold for 3S to query the last fault code

Press and hold for 3S to configure the network
(For Wi-Fi model only)

No operation for 30S, exit setup mode without saving

X1 Series

Auto-reconnect Adjustable Voltage Protector



starasian

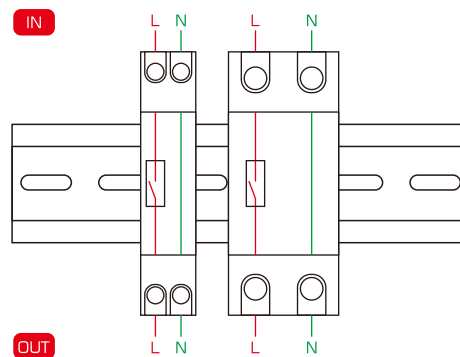


X1 63A

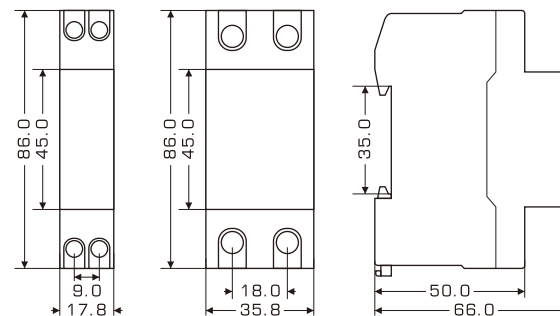


X1 63A
Wi-Fi

Wiring Diagram & Installation



Overall Dimensions



Description

X2 series auto-reconnect adjustable current protector provides the protections of over-current and over-temperature, with the advantages of true RMS, steady-state circuit, long service life, wide application voltage, fast response speed, strong anti-interference ability (EMC passed), color digital display and adjustable parameters by adopting the advanced micro-controller and non-volatile memory, the powerful algorithm, the high-quality components and the patent-protected overall design, widely used in various environments such as household, commercial and industrial.



X2 32A

Basic Parameters

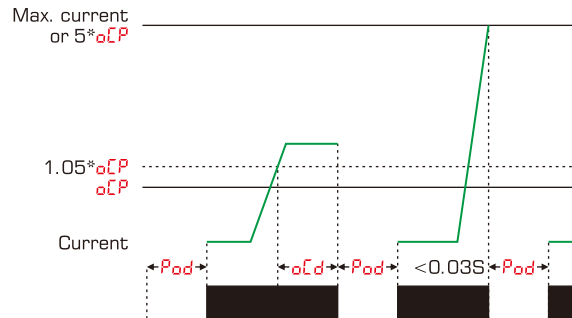
Working voltage	60-520V AC		
Rated current	32A	40A	63A
Max. current	50A	60A	80A
Rated frequency	45-60Hz		

Power consumption	<2VA
Ambient temperature	-25°C-65°C
Electro-mechanical life	100,000 cycles
Options	Wi-Fi

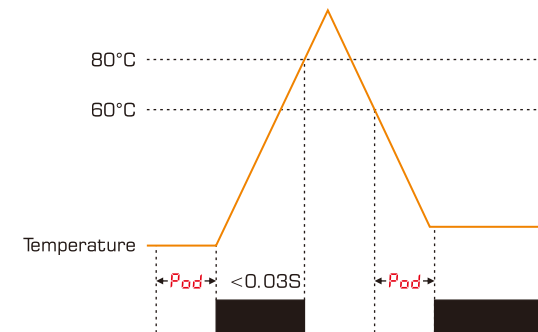
* For category AC-1.

Function Diagram

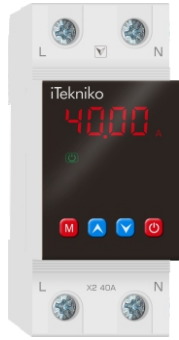
■ Current Protection



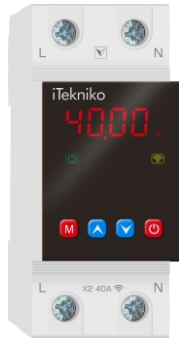
■ Internal Temperature Protection



X2 32A
Wi-Fi



X2 40A



X2 40A
Wi-Fi

Parameter Setting

32A	40/63A	
		Main display
		Set password 000-999 (Default 000)
		Set power on delay time 1-999S (Default 30S)
		Set over-current protection value 0.1-32.0/40.0/63.0A (Default 25.0/32.0/50.0A)
		Set over-current off delay time 0.1-30.0S (Default 15.0S)
		Set continuous over-current off times 1-99T (Default 3T)
		Finish the setting
		Turn off the output

* Voltage protection can be customized as following

40A 1P	40/63A 2P	
		Set power on delay time 1-999S (Default 30S)
		Set over-voltage protection value 230-300V (Default 255V) 125-180V (Default 140V)
		Set over-voltage off delay time 0.1-30.0S (Default 0.1S) >350V: <0.03S >210V: <0.03S
		Set under-voltage protection value 140-210V (Default 175V) 80-105V (Default 90V)
		Set under-voltage off delay time 0.1-30.0S (Default 0.5S) <120V: <0.03S <70V: <0.03S
		Set over-current protection value 0.1-40.0/63.0A (Default 40.0/63.0A)

In setup mode, press to save and exit

Press and hold for 3S to reset

Press to query more parameters

Press and hold for 3S to query the last fault code

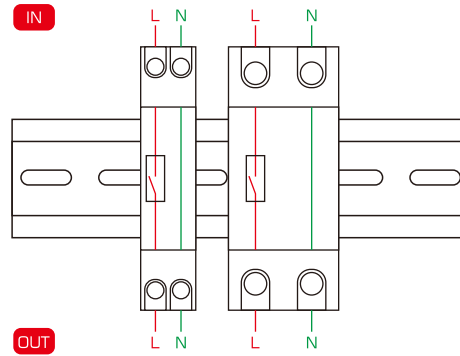
Press and hold for 3S to configure the network
(For Wi-Fi model only)

No operation for 30S, exit setup mode without saving

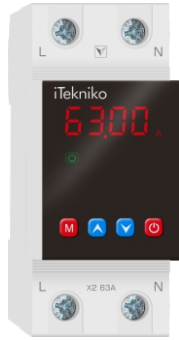
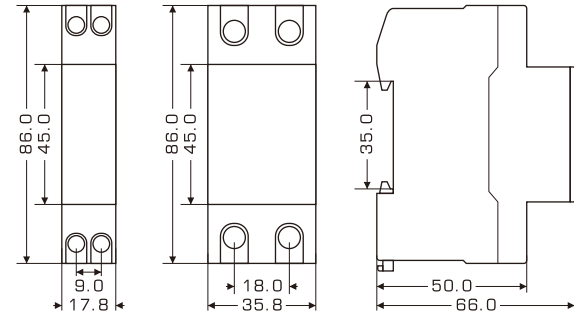
EXCLUSIVE AGENT ONLY

PROTECTED BY PATENT

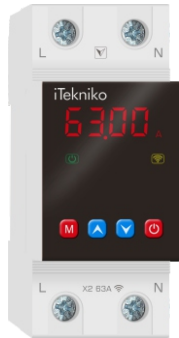
Wiring Diagram & Installation



Overall Dimensions



X2 63A



X2 63A
Wi-Fi



X3 32A



X3 32A
Wi-Fi

Description

X3 series auto-reconnect adjustable voltage current protector provides the protections of over-voltage, under-voltage, over-current and over-temperature, with the advantages of true RMS, steady-state circuit, long service life, wide application voltage, fast response speed, strong anti-interference ability (EMC passed), color digital display and adjustable parameters by adopting the advanced micro-controller and non-volatile memory, the powerful algorithm, the high-quality components and the patent-protected overall design, widely used in various environments such as household, commercial and industrial.

Basic Parameters

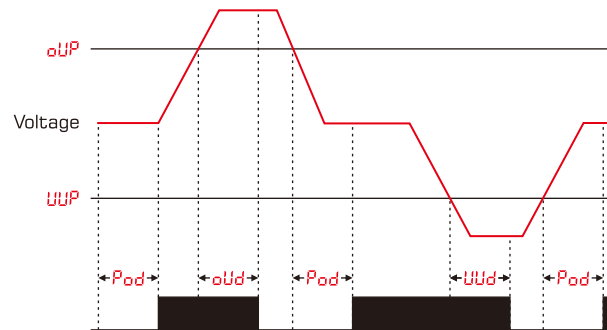
Working voltage	60-520V AC		
Rated current	32A	40A	63A
Max. current	50A	60A	80A
Rated frequency	45-60Hz		

Power consumption	<2VA
Ambient temperature	-25°C-65°C
Electro-mechanical life	100,000 cycles
Options	Wi-Fi

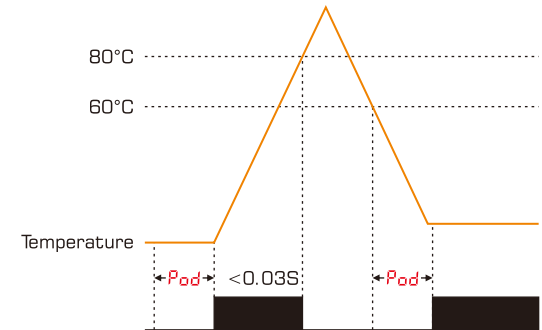
* For category AC-1.

Function Diagram

■ Voltage Protection

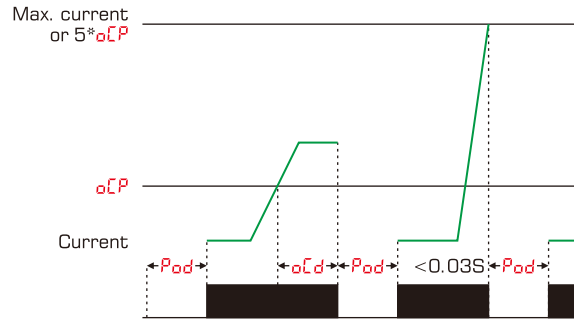


■ Internal Temperature Protection



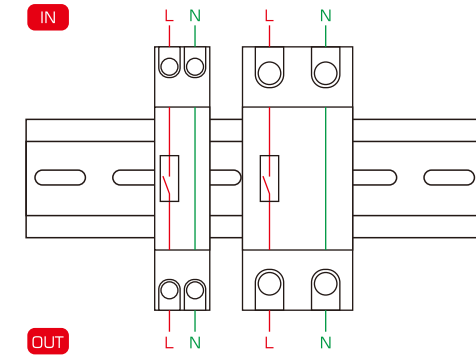
Function Diagram

■ Current Protection

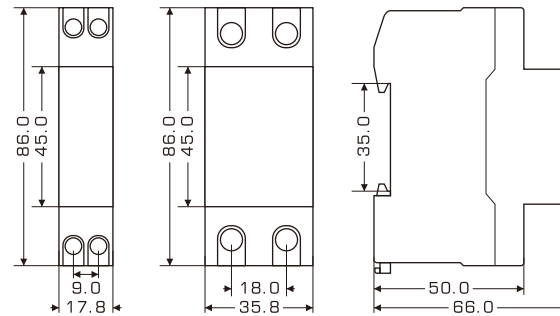


X3 40A

Wiring Diagram & Installation



Overall Dimensions



X3 40A
Wi-Fi



X3 63A



X3 63A
Wi-Fi

Parameter Setting

■ 32A 40/63A

220V **2200V**
6300A

Main display

PYd **PYd**
000

Set password
000-999 (Default: 000)

Pod **Pod**
30

Set power on delay time
1-999S (Default: 30S)

oVp **oVp**
255

Set over-voltage protection value
230-300V (Default: 255V)
125-180V (Default: 140V)

oVd **oVd**
0.1

Set over-voltage off delay time
0.1-30.0S (Default: 0.1S)
>350V: <0.03S
>210V: <0.03S

uVp **uVp**
175

Set under-voltage protection value
140-210V (Default: 175V)
80-105V (Default: 90V)

uVd **uVd**
0.5

Set under-voltage off delay time
0.1-30.0S (Default: 0.5S)
<120V: <0.03S
<70V: <0.03S

oCp **oCp**
630

Over-current protection value
0.1-32.0/40.0/63.0A
(Default: 25.0/32.0/50.0A)

oCd **oCd**
150

Set over-current off delay time
0.1-30.0S (Default: 15.0S)

CoC **CoC**
3

Set continuous over-current
off times
1-99T (Default: 3T)

End **End**

Finish the setting

off **off**

Turn off the output

In setup mode, press **⏻** to save and exit

Press and hold **M** for 3S to reset

Press **⬆** to query more parameters

Press and hold **⬆** for 3S to query the last fault code

Press and hold **⬇** for 3S to configure the network
(For Wi-Fi model only)

No operation for 30S, exit setup mode without saving

EXCLUSIVE AGENT ONLY **PROTECTED BY PATENT**

Description

X4 series auto-reconnect adjustable voltage current protector provides the protections of over-voltage, under-voltage, over-current, over-temperature and the function of electricity meter, with the advantages of true RMS, steady-state circuit, long service life, wide application voltage, fast response speed, strong anti-interference ability (EMC passed), color digital display and adjustable parameters by adopting the advanced micro-controller and non-volatile memory, the powerful algorithm, the high-quality components and the patent-protected overall design, widely used in various environments such as household, commercial and industrial.



X4 40A

Basic Parameters

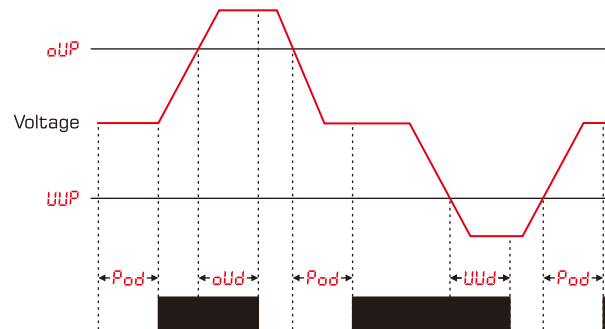
Working voltage	60-520V AC	
Rated current	40A	63A
Max. current	60A	80A
Rated frequency	45-60Hz	

Power consumption	<2VA
Ambient temperature	-25°C-65°C
Electro-mechanical life	100,000 cycles
Options	Wi-Fi

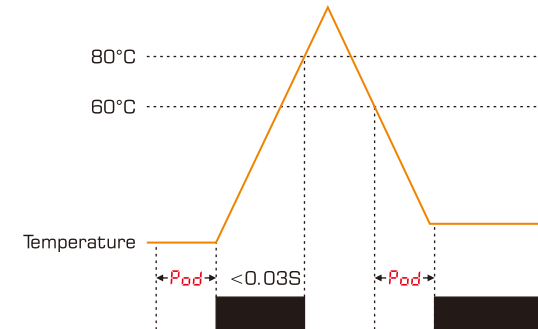
* For category AC-1.

Function Diagram

■ Voltage Protection



■ Internal Temperature Protection



X4 40A
Wi-Fi

X4 Series

Auto-reconnect Adjustable Voltage Current Protector with Meter



starasian



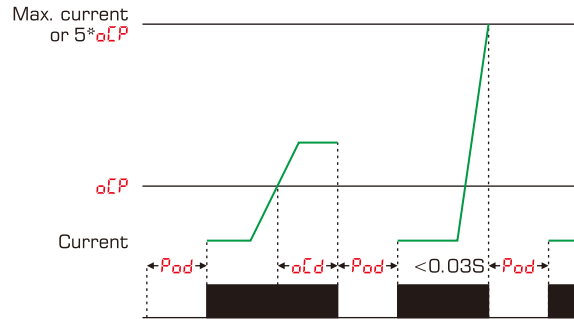
X4 63A



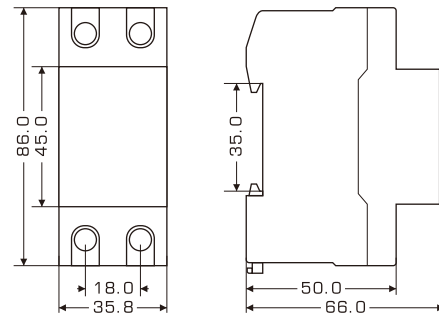
X4 63A
Wi-Fi

Function Diagram

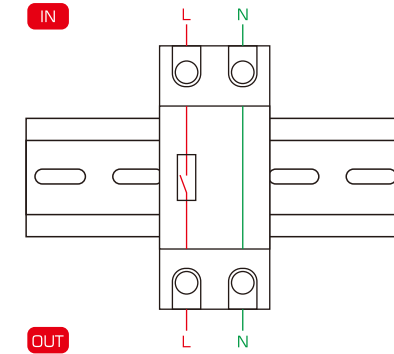
■ Current Protection



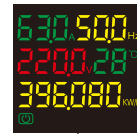
Overall Dimensions



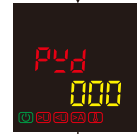
Wiring Diagram & Installation



Parameter Setting



Main display



Set password
000-999 (Default 000)



Set power on delay time
1-999S (Default 30S)



Set over-voltage protection value
230-300V (Default 255V)
125-180V (Default 140V)



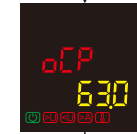
Set over-voltage off delay time
0.1-30.0S (Default 0.1S)
>350V: <0.03S
>210V: <0.03S



Set under-voltage protection value
140-210V (Default 175V)
80-105V (Default 90V)



Set under-voltage off delay time
0.1-30.0S (Default 0.5S)
<120V: <0.03S
<70V: <0.03S



Over-current protection value
0.1-40.0/63.0A
(Default 40.0/63.0A)



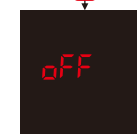
Set over-current off delay time
0.1-30.0S (Default 15.0S)



Set continuous over-current off times
1-99T (Default 3T)



Finish the setting



Turn off the output

In setup mode, press to save and exit

Press and hold for 3S to reset

Press to query more parameters

Press and hold for 3S to query the last fault code

Press and hold for 3S to configure the network (For Wi-Fi model only)

Press and hold both at the same time to input the password to reset the meter (No password, reset directly)

No operation for 30S, exit setup mode without saving

PROTECTED BY PATENT

EXCLUSIVE AGENT ONLY



X5 40A



X5 40A
Wi-Fi

Description

X5 series auto-reconnect adjustable voltage current protector provides the protections of over-voltage, under-voltage, over-current, over-temperature, residual current and the function of electricity meter, with the advantages of true RMS, steady-state circuit, long service life, wide application voltage, fast response speed, strong anti-interference ability (EMC passed), color digital display and adjustable parameters by adopting the advanced micro-controller and non-volatile memory, the powerful algorithm, the high-quality components and the patent-protected overall design, widely used in various environments such as household, commercial and industrial.

Basic Parameters

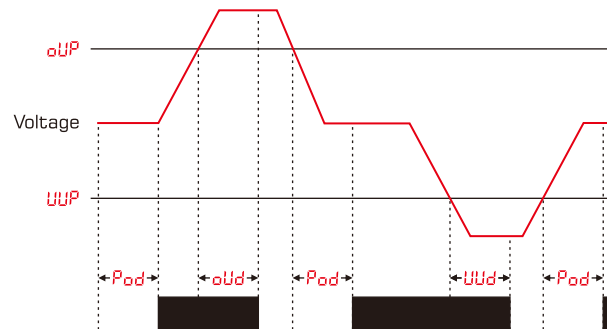
Working voltage	60-520V AC	
Rated current	40A	63A
Max. current	60A	80A
Rated frequency	45-60Hz	

Power consumption	<2VA
Ambient temperature	-25°C-65°C
Electro-mechanical life	100,000 cycles
Options	Wi-Fi

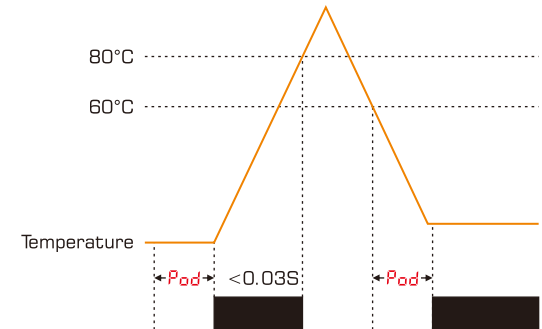
* For category AC-1.

Function Diagram

■ Voltage Protection

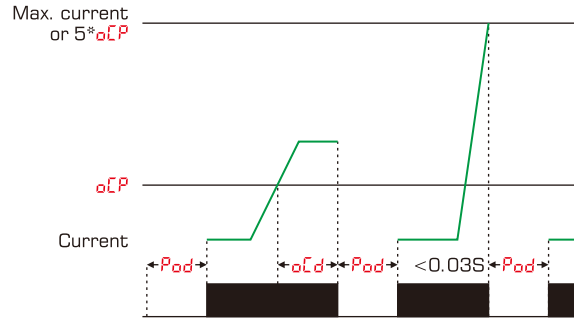


■ Internal Temperature Protection

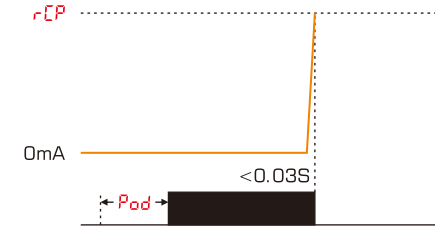


Function Diagram

■ Current Protection



■ Residual Current Protection

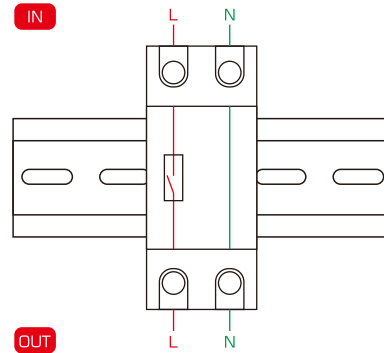


Disconnected due to residual current fault, the device needs to be manually restarted after overhauling the circuit.

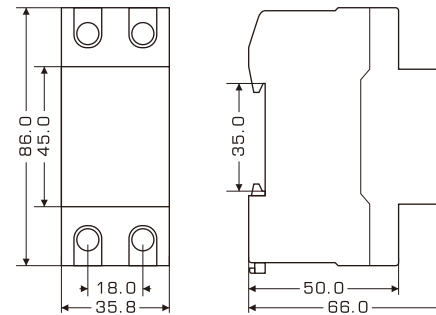


X5 63A

Wiring Diagram & Installation

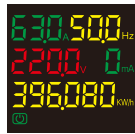


Overall Dimensions

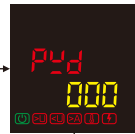


X5 63A
Wi-Fi

Parameter Setting



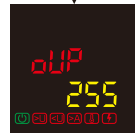
Main display



Set password
000-999 (Default 000)



Set power on delay time
1-999S (Default 30S)



Set over-voltage protection value
230-300V (Default 255V)
125-180V (Default 140V)



Set over-voltage off delay time
0.1-30.0S (Default 0.1S)
>350V: <0.03S
>210V: <0.03S



Set under-voltage protection value
140-210V (Default 175V)
80-105V (Default 90V)



Set under-voltage off delay time
0.1-30.0S (Default 0.5S)
<120V: <0.03S
<70V: <0.03S



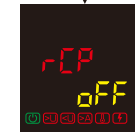
Over-current protection value
0.1-40.0/63.0A
(Default 32.0/50.0A)



Set over-current off delay time
0.1-30.0S (Default 15.0S)



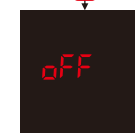
Set continuous over-current off times
1-99T (Default 3T)



Residual current
10-300mA (Default OFF)



Finish the setting



Turn off the output

In setup mode, press to save and exit

Press and hold for 3S to reset

Press to query more parameters

Press and hold for 3S to query the last fault code

Press and hold for 3S to configure the network (For Wi-Fi model only)

Press and hold both at the same time to input the password to reset the meter (No password, reset directly)

No operation for 30S, exit setup mode without saving



X6 63A



X6 63A
Wi-Fi

Description

X6 series auto-reconnect adjustable voltage protector provides the protections of over-voltage, under-voltage, over-temperature, phase sequence and voltage asymmetry, with the advantages of true RMS, steady-state circuit, long service life, wide application voltage, fast response speed, strong anti-interference ability (EMC passed), color digital display and adjustable parameters by adopting the advanced micro-controller and non-volatile memory, the powerful algorithm, the high-quality components and the patent-protected overall design, widely used in various environments such as household, commercial and industrial.

Basic Parameters

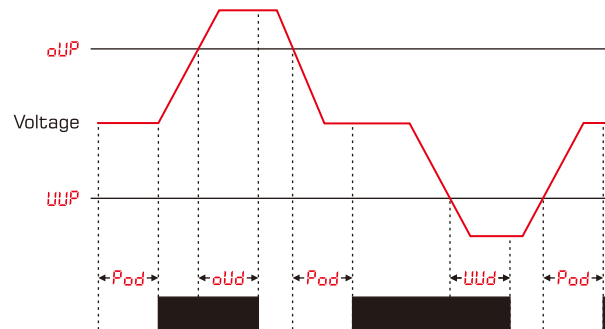
Working voltage	60-520V (L-N), 110-900V (L-L) AC		
Rated current	63A	80A	100A
Max. current	80A	100A	120A
Rated frequency	45-60Hz		

Power consumption	<2VA
Ambient temperature	-25°C-65°C
Electro-mechanical life	100,000 cycles
Options	Wi-Fi

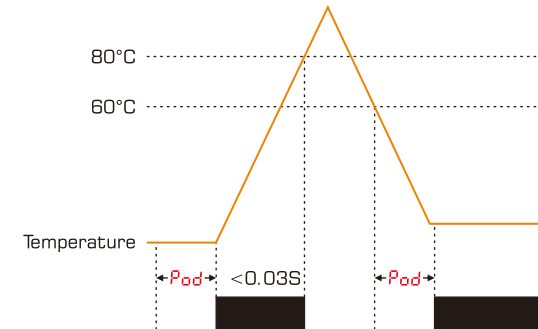
* For category AC-1.

Function Diagram

■ Voltage Protection



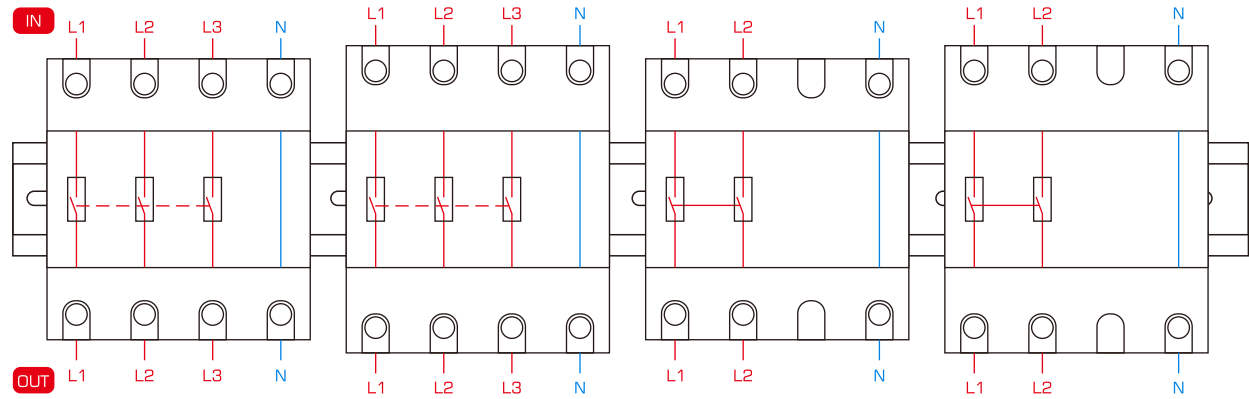
■ Internal Temperature Protection





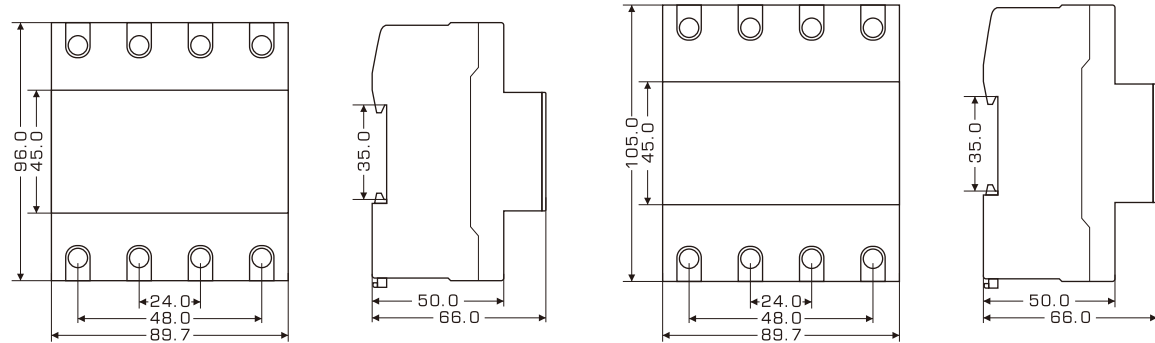
X6 80A

Wiring Diagram & Installation



X6 80A
Wi-Fi

Overall Dimensions





X6 100A



X6 100A
Wi-Fi

Parameter Setting



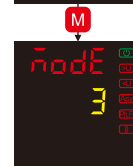
Main display



Set password
000-999 (Default 000)



Set power on delay time
1-999S (Default 30S)



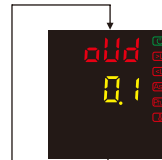
Select use mode
3-TPN/1-SPN (Default 3-TPN)



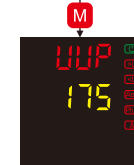
Select TPN mode



Set over-voltage protection value
230-300V (Default 255V)
125-180V (Default 140V)



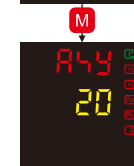
Set over-voltage off delay time
0.1-30.0S (Default 0.1S)
>350V: <0.03S
>210V: <0.03S



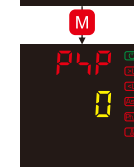
Set under-voltage protection value
140-210V (Default 175V)
80-105V (Default 90V)



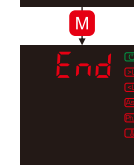
Set under-voltage off delay time
0.1-30.0S (Default 0.5S)
<120V: <0.03S
<70V: <0.03S



Set voltage asymmetry
10-99V (Default 20V) <0.03S



Set phase sequence protection switch
1-ON/0-OFF (Default 0-OFF) <0.03S



Finish the setting



Turn off the output

Parameter Setting

■ Select SPN mode



Set over-voltage protection value
230-300V (Default 255V)
125-180V (Default 140V)



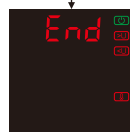
Set over-voltage off delay time
0.1-30.0S (Default 0.1S)
>350V: <0.03S
>210V: <0.03S



Set under-voltage protection value
140-210V (Default 175V)
80-105V (Default 90V)



Set under-voltage off delay time
0.1-30.0S (Default 0.5S)
<120V: <0.03S
<70V: <0.03S



Finish the setting



In setup mode, press to save and exit

Press and hold for 3S to reset

Press to query more parameters

Press and hold for 3S to query the last fault code

Press and hold for 3S to configure the network
(For Wi-Fi model only)

No operation for 30S, exit setup mode without saving

EXCLUSIVE AGENT ONLY

PROTECTED BY PATENT



X7 63A



X7 63A
Wi-Fi

Description

X7 series auto-reconnect adjustable voltage current protector provides the protections of over-voltage, under-voltage, over-current, over-temperature, phase sequence and voltage asymmetry, with the advantages of true RMS, steady-state circuit, long service life, wide application voltage, fast response speed, strong anti-interference ability (EMC passed), color digital display and adjustable parameters by adopting the advanced micro-controller and non-volatile memory, the powerful algorithm, the high-quality components and the patent-protected overall design, widely used in various environments such as household, commercial and industrial.

Basic Parameters

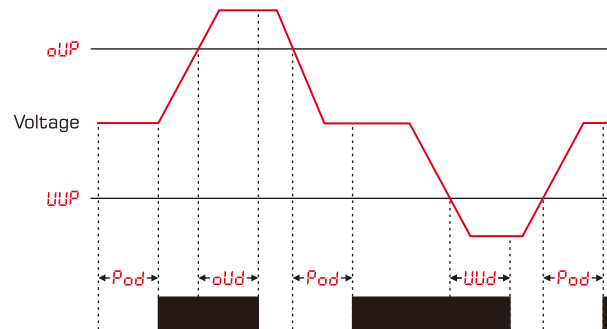
Working voltage	60-520V (L-N), 110-900V AC (L-L)		
Rated current	63A	80A	100A
Max. current	80A	100A	120A
Rated frequency	45-60Hz		

Power consumption	<2VA
Ambient temperature	-25°C-65°C
Electro-mechanical life	100,000 cycles
Options	Wi-Fi

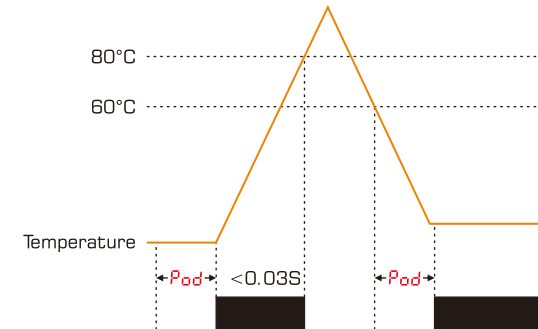
* For category AC-1.

Function Diagram

■ Voltage Protection



■ Internal Temperature Protection





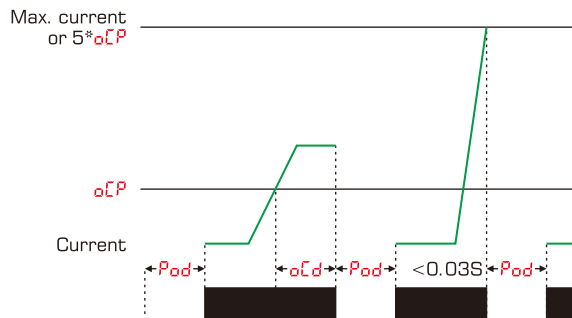
X7 80A



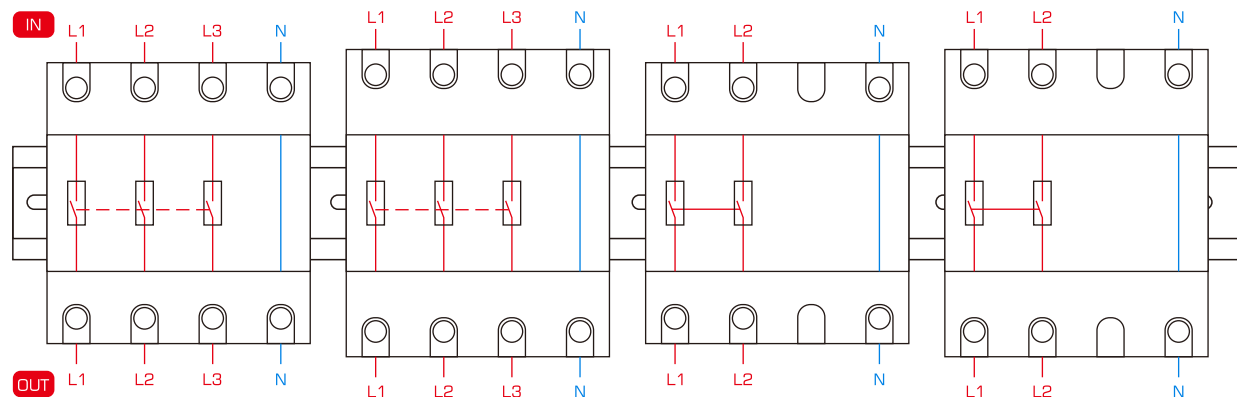
X7 80A
Wi-Fi

Function Diagram

Current Protection



Wiring Diagram & Installation



Parameter Setting

■ Select SPN mode



Set over-voltage protection value
230-300V (Default 255V)
125-180V (Default 140V)



Set over-voltage off delay time
0.1-30.0S (Default 0.1S)
>350V: <0.03S
>210V: <0.03S



Set under-voltage protection value
140-210V (Default 175V)
80-105V (Default 90V)



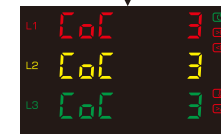
Set under-voltage off delay time
0.1-30.0S (Default 0.5S)
<120V: <0.03S
<70V: <0.03S



Set over-current protection value
0.1-63.0/80.0/100.0A
(Default 50.0/63.0/80.0A)



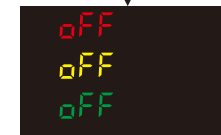
Set over-current off delay time
0.1-30.0S (Default 15.0S)



Set continuous over-current off times
1-99T (Default 3T)



Finish the setting



Finish the setting

- Turn L1 ON/OFF
- ▲ Turn L2 ON/OFF
- ▼ Turn L3 ON/OFF

In setup mode, press to save and exit

Press and hold for 3S to reset

Press to query more parameters

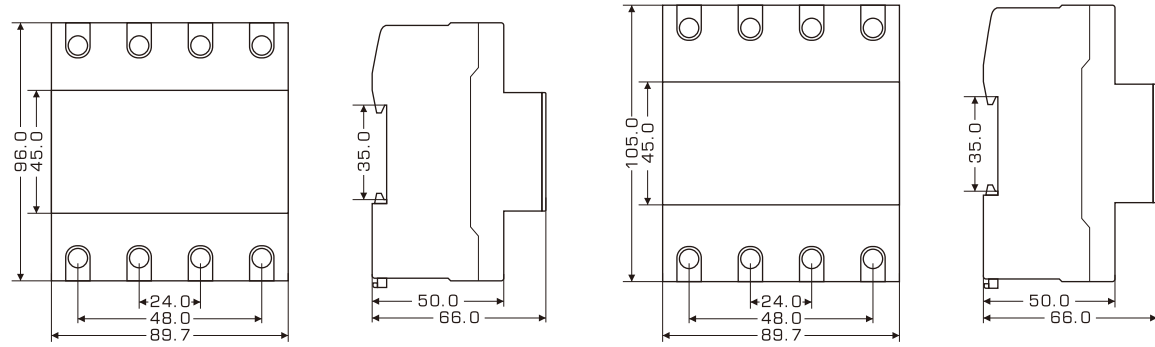
Press and hold for 3S to query the last fault code

Press and hold for 3S to configure the network (For Wi-Fi model only)

Press and hold both at the same time to input the password to reset the meter (No password, reset directly)

No operation for 30S, exit setup mode without saving

Overall Dimensions





X8 63A



X8 63A
Wi-Fi

Description

X8 series electronic phase selective changeover switch is designed to supply an single-phase 110V or 220V load from the main power supply in order to maintain the stable uninterrupted power supply of essential single-phase load and protect it against the unallowed voltage variations in the main power supply.

According to the presence and quality of voltage in different phase, it will select the optimum phase and switch the single-phase load to this phase, with the advantages of true RMS, steady-state circuit, long service life, wide application voltage, fast response speed, strong anti-interference ability (EMC passed), color digital display and adjustable parameters by adopting the advanced micro-controller and non-volatile memory, the powerful algorithm, the high-quality components and the patent-protected overall design, widely used in various environments such as household, commercial and industrial.

Basic Parameters

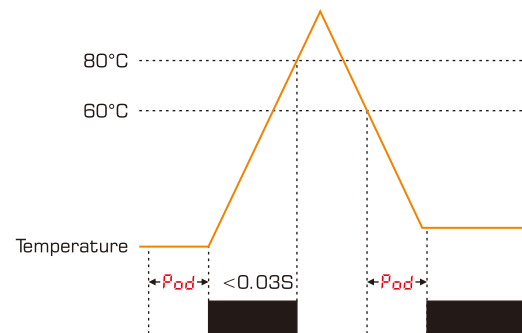
Working voltage	60-520V (L-N), 110-900V (L-L) AC		
Rated current	63A	80A	100A
Max. current	80A	100A	120A
Rated frequency	45-60Hz		

Power consumption	<2VA
Ambient temperature	-25°C-65°C
Electro-mechanical life	100,000 cycles
Options	Wi-Fi

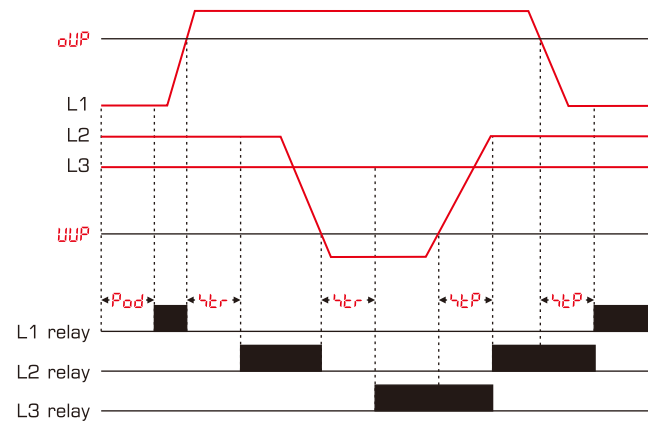
* For category AC-1.

Function Diagram

Internal Temperature Protection



4EP set at 1-999S



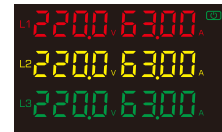


X7 100A



X7 100A
Wi-Fi

Parameter Setting



Main display



Set password
000-999 (Default 000)
Set power on delay time
1-999S (Default 30S)
Select use mode
3-TPN/1-SPN (Default 3-TPN)



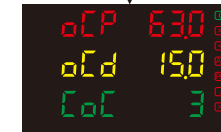
Select TPN mode



Set over-voltage protection value
230-300V (Default 255V)
125-180V (Default 140V)
Set over-voltage off delay time
0.1-30.0S (Default 0.1S)
>350V: <0.03S >210V: <0.03S
Set voltage asymmetry
10-99V (Default 20V) <0.03S



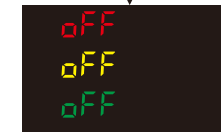
Set under-voltage protection value
140-210V (Default 175V)
80-105V (Default 90V)
Set under-voltage off delay time
0.1-30.0S (Default 0.5S)
<120V: <0.03S <70V: <0.03S
Set phase sequence protection switch
1-ON/0-OFF (Default 0-OFF) <0.03S



Set over-current protection value
0.1-63.0A/80.0A/100.0A
(Default 50.0A/63.0A/80.0A)
Set over-current off delay time
0.1-30.0S (Default 15.0S)
Set continuous over-current off times
1-99T (Default 3T)

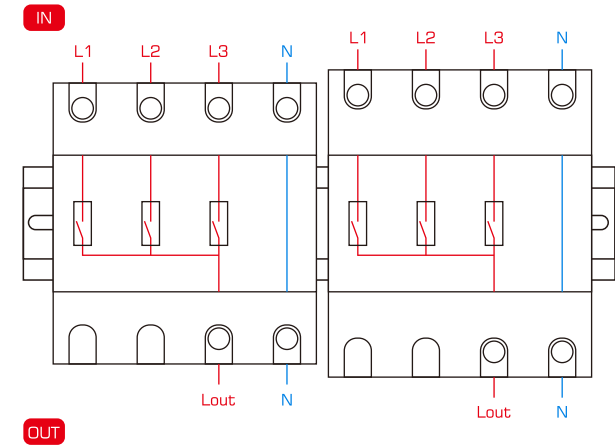


Finish the setting

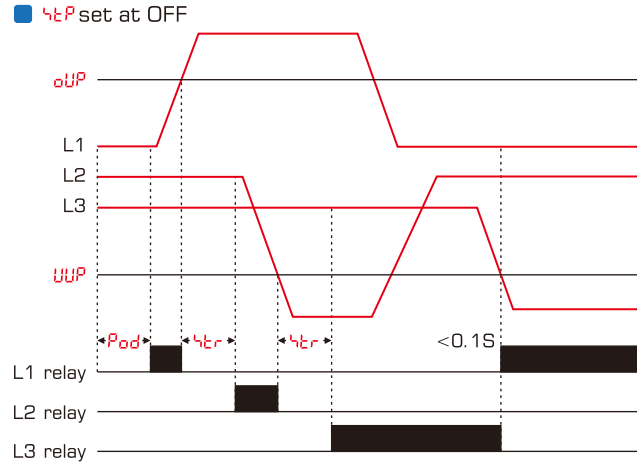


Turn off the output

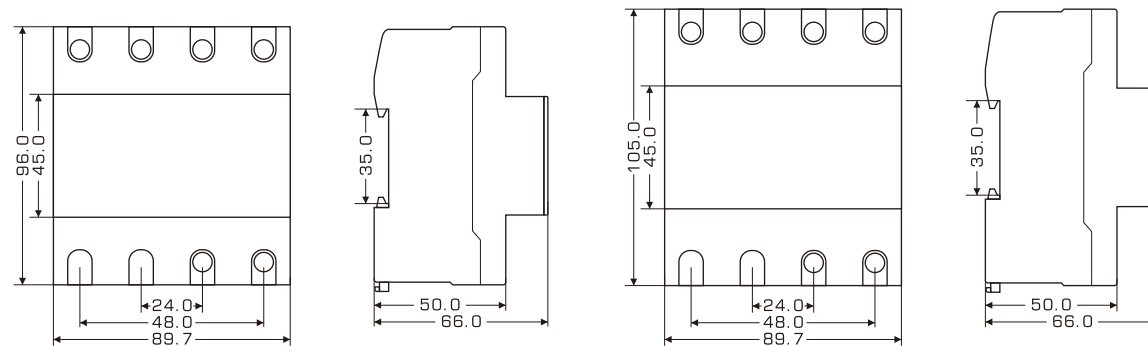
Wiring Diagram & Installation



Function Diagram



Overall Dimensions



X8 80A



X8 80A
Wi-Fi



X10 100A

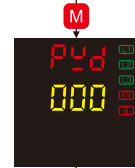


X10 100A
Wi-Fi

Parameter Setting



Main display



Set password
000-999 (Default 000)



Set power on delay time
1-999S (Default 30S)



Set over-voltage protection value
230-300V (Default 255V)
125-180V (Default 140V)



Set under-voltage protection value
140-210V (Default 175V)
80-105V (Default 90V)



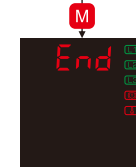
Set switch time to prior-phase
1-999S-OFF (Default OFF)



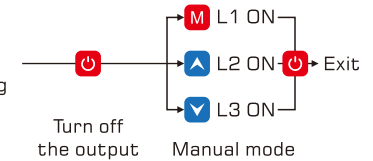
Set switch time to reserve-phase
0.1-30.0S (Default 0.1S)



Set priority sequence
123/321 (Default 123)



Finish
the
setting



In setup mode, press to save and exit

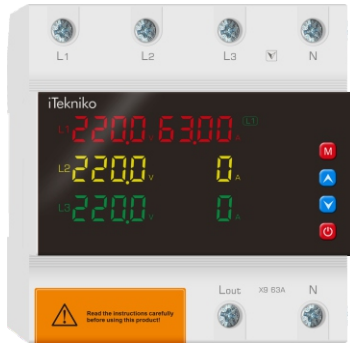
Press and hold for 3S to reset

Press to query more parameters

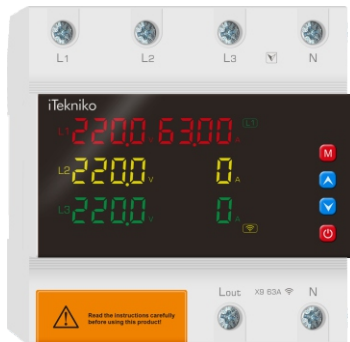
Press and hold for 3S to query the last fault code

Press and hold for 3S to configure the network
(For Wi-Fi model only)

No operation for 30S, exit setup mode without saving



X9 63A



X9 63A
Wi-Fi

Description

X9 series electronic phase selective changeover switch with over-current protection is designed to supply an single-phase 110V or 220V load from the main power supply in order to maintain the stable uninterrupted power supply of essential single-phase load and protect it against the unallowed voltage variations in the main power supply.

According to the presence and quality of voltage in different phase, it will select the optimum phase and switch the single-phase load to this phase, with the advantages of true RMS, steady-state circuit, long service life, wide application voltage, fast response speed, strong anti-interference ability (EMC passed), color digital display and adjustable parameters by adopting the advanced micro-controller and non-volatile memory, the powerful algorithm, the high-quality components and the patent-protected overall design, widely used in various environments such as household, commercial and industrial.

Basic Parameters

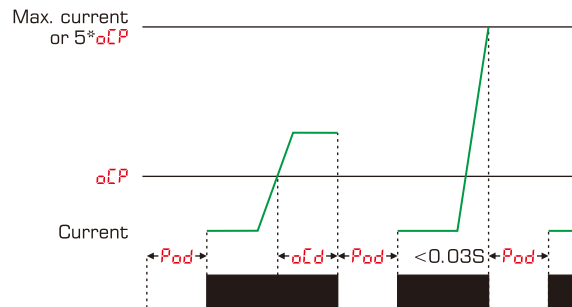
Working voltage	60-520V (L-N), 110-900V (L-L) AC		
Rated current	63A	80A	100A
Max. current	80A	100A	120A
Rated frequency	45-60Hz		

Power consumption	<2VA
Ambient temperature	-25°C-65°C
Electro-mechanical life	100,000 cycles
Options	Wi-Fi

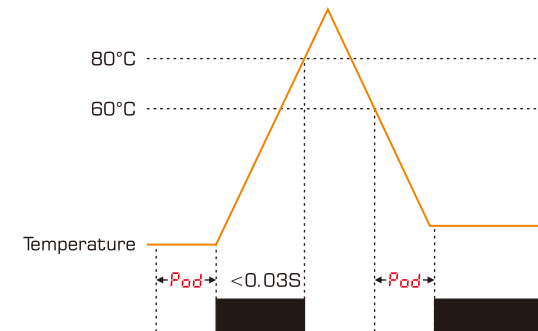
* For category AC-1.

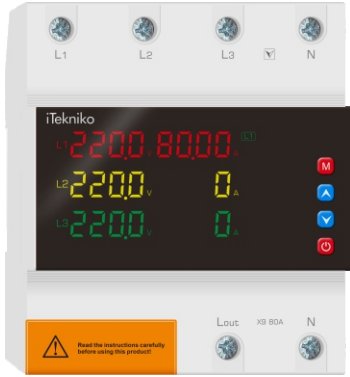
Function Diagram

■ Current Protection

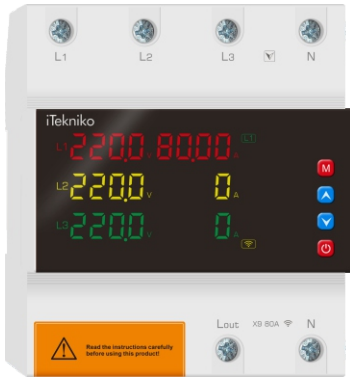


■ Internal Temperature Protection





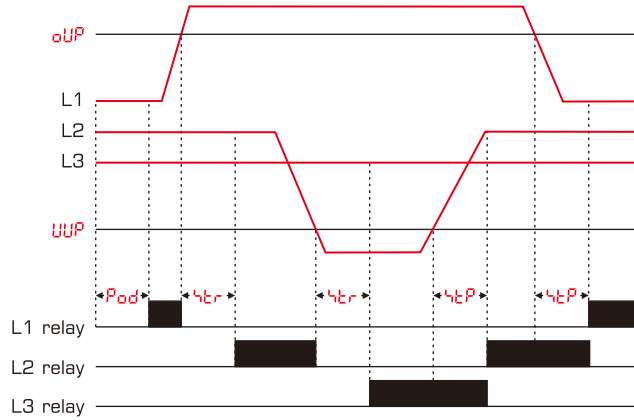
X9 80A



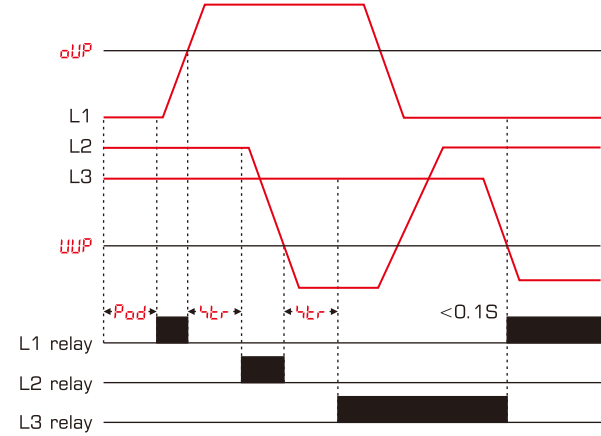
X9 80A
Wi-Fi

Function Diagram

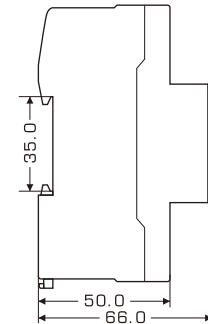
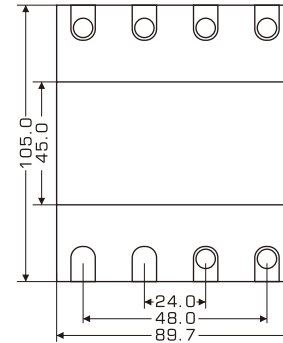
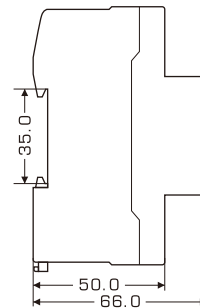
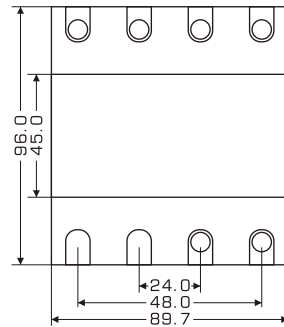
■ t_{EP} set at 1-999S



■ t_{EP} set at OFF



Overall Dimensions





X9 100A



X9 100A
Wi-Fi

Parameter Setting



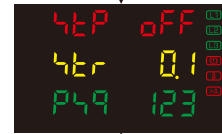
Main display



Set password
000-999 (Default 000)
Set power on delay time
1-999S (Default 30S)



Set over-voltage protection value
230-300V (Default 255V)
125-180V (Default 140V)
Set under-voltage protection value
140-210V (Default 175V)
80-105V (Default 90V)



Set switch time to prior-phase
1-999S-OFF (Default OFF)
Set switch time to reserve-phase
0.1-30.0S (Default 0.1S)
Set priority sequence
123/321 (Default 123)



Set over-current protection value
0.1-63.0/80.0/100.0A
(Default 50.0/63.0/80.0A)
Set over-current off delay time
0.1-30.0S (Default 15.0S)
Set continuous over-current off times
1-99T (Default 3T)



Finish the setting

- Turn L1 ON/OFF
- Turn L2 ON/OFF
- Turn L3 ON/OFF

In setup mode, press to save and exit

Press and hold for 3S to reset

Press to query more parameters

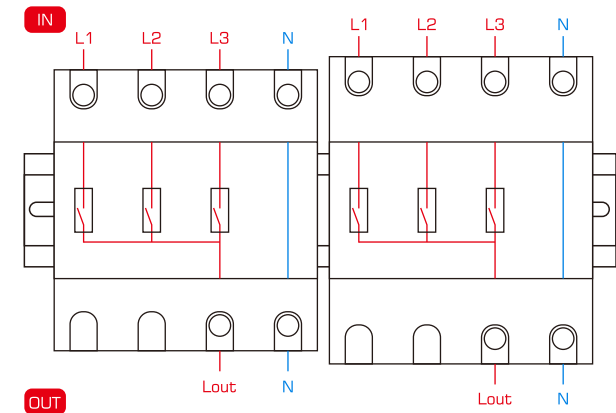
Press and hold for 3S to query the last fault code

Press and hold for 3S to configure the network
(For Wi-Fi model only)

Press and hold both at the same time to input the password to reset the meter (No password, reset directly)

No operation for 30S, exit setup mode without saving

Wiring Diagram & Installation







SE-CAT-2404/V1

starasian®

ZHEJIANG STARASIAN TECHNOLOGY CO., LTD.
YUEQING SIEBEN ELECTRIC CO., LTD.

Tel.: +86 13806609408

Fax: +86 577 62715772

E-mail: sinoasian@sinoasian.net

Website: www.s-a.top

Rd. Liubai, Liushi Town, Wenzhou City, China 325604